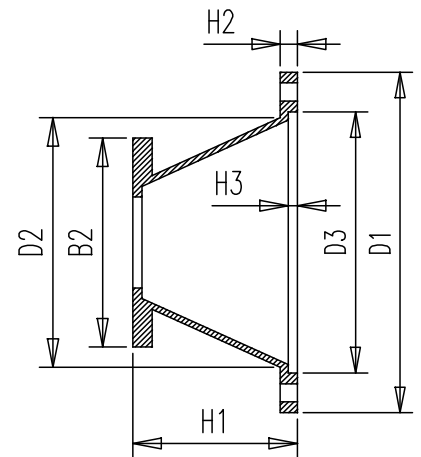
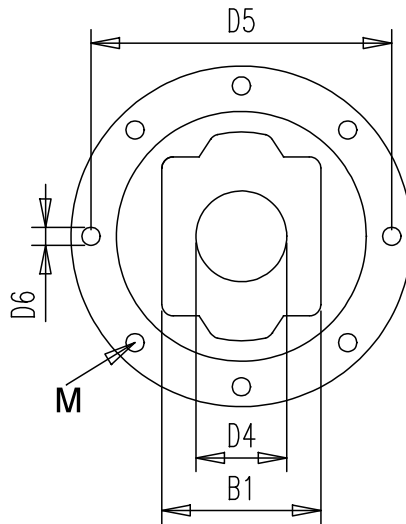
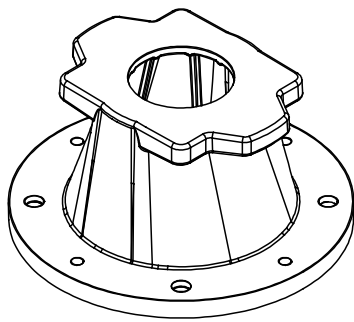
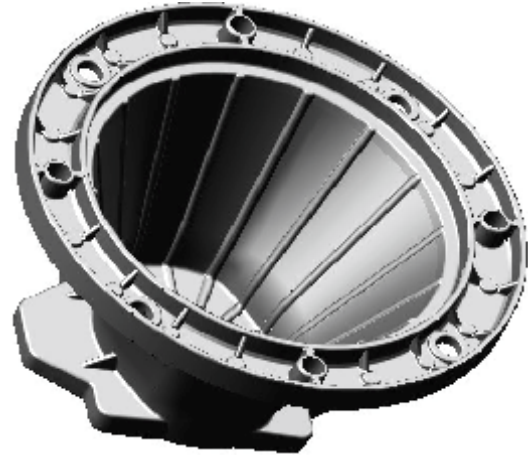

**OK, 1K, 2K KAMPANA SERİSİ**
**OK, 1K, 2K BELLHOUSING SERIES**

KOD CODE	P	TIP TYPE	H	H1	H2	N	D	D1	D2	D3	B	B1	E	E1	m	M
OZOK140K	140	1	70	10	6	95	25.6	115	9	90	52.5	72	68	88	6	8
OZOK160K	160	1	81	10.5	7	110	25.6	130	9	114	52.5	72	88	112.5	6	8
OZ1K160K	160	1	81	10.5	7	110	36.7	130	9	114	71.42	96.18	88	112.5	6	8
OZOK200K	200	1	100	14.5	9	130	25.6	165	12	137	52.5	72	88	112.5	6	10
OZ1K200K	200	1	100	14.5	9	130	36.7	165	12	137	71.42	96.18	88	112.5	6	10
OZOK250K	250	1	115	17.5	9	180	25.6	215	14	170	52.5	72	88	112.5	6	12
OZ1K250K	250	1	115	17.5	9	180	36.7	215	14	170	71.42	96.18	88	112.5	6	12
OZ2K250K	250	2	115	17.5	9	180	50.8	215	14.5	170	98.56	128.02	119	149	8	12
OZ1K300K	300	2	134	18.5	11	230	36.7	265	14.5	232	71.42	96.18	119	149	6	12
OZ2K300K	300	2	134	18.5	11	230	50.8	265	14.5	232	98.56	128.02	119	149	8	12
OZ1K350K	350	2	171.5	23	14.5	250	36.7	300	18.2	250	71.42	96.18	119	149	6	16
OZ2K350K	350	2	171.5	23	14.5	250	50.8	300	18.2	250	98.56	128.02	119	149	8	16

ÖLÇÜ TOLERANSI=N,D DEGERLERİNDE '+' 0.1 KULLANILMIŞTIR  
 DIMENSION TOLERANCE VALUES USED  
 DİĞER ÖLÇÜLERDE '+,-' 0.25 KULLANILMIŞTIR  
 OTHER IN DIMENSIONS USED

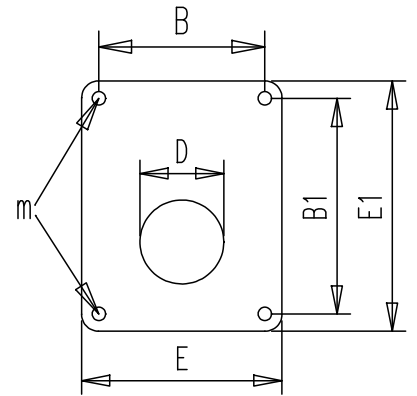
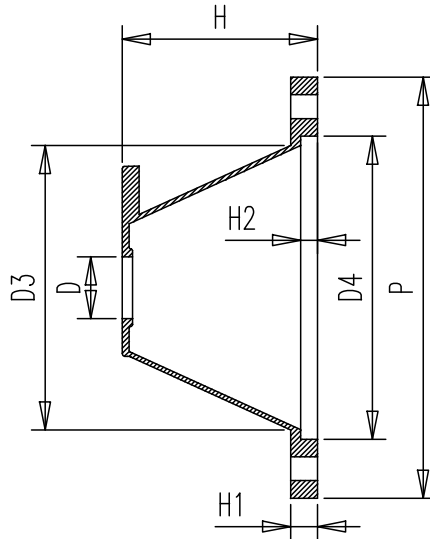
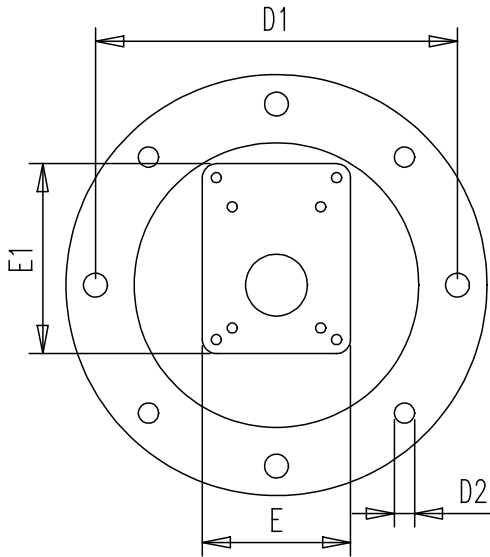
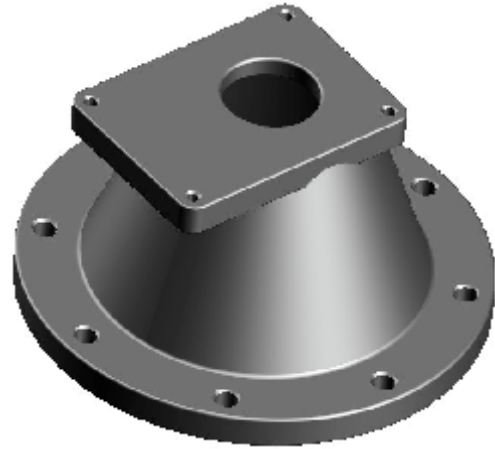


## KAVI KARE KAMPANA SERİSİ

### SQUARE WITH EARS BELLHOUSING SERIES

KOD CODE	D1	D2	D3	D4	D5	D6	H1	H2	H3	B1	B2	M
OZ200KK	200	127	130	80/112	165	12	110	14.5	8	120	160	10
OZ250KK	250	172	180	80/127	215	14	125.5	14.5	10	132	185	12
OZ300KK	300	218	230	80/127	265	14.5	158	18.5	13	140	200	12
OZ350KK	350	240	250	80/127	300	18	188	23.5	14.5	150	214	16

ÖLÇÜ TOLERANSI=D3,D4 DEĞERLERİNDE '+' 0.1 KULLANILMIŞTIR  
 DIMENSION TOLERANCE VALUES USED  
 DİĞER ÖLÇÜLERDE '+,-' 0.25 KULLANILMIŞTIR  
 OTHER IN DIMENSIONS USED

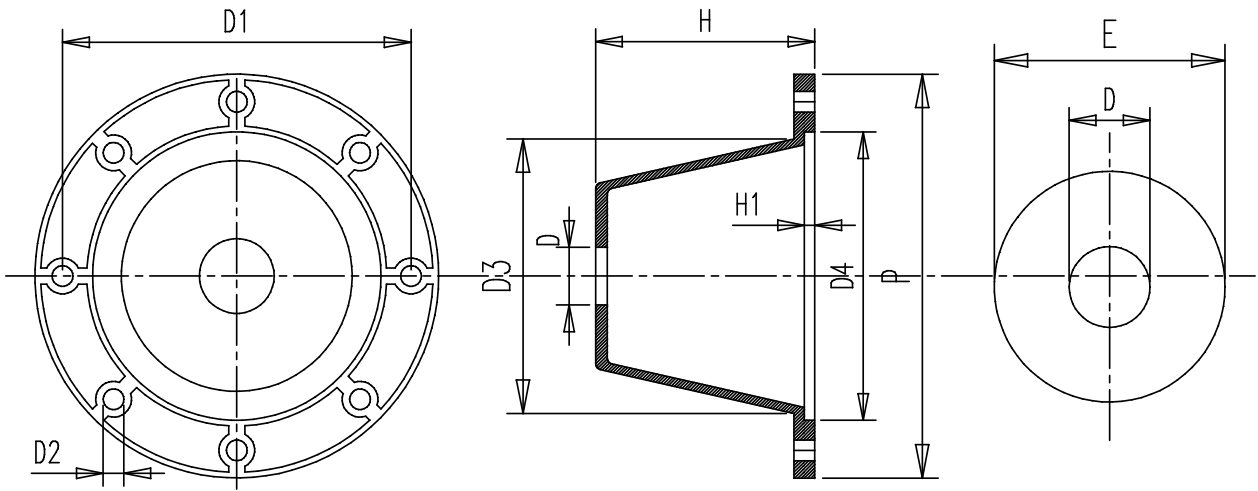


### 3K KAMPANA SERİSİ

### 3K BELLHOUSING SERIES

KOD CODE	P	TIP TYPE	H	H1	H2	D	D1	D2	D3	D4	B	B1	E	E1	m
OZ3K250K	250	3	114.5	12.7	7	60.5	215	13	170	180	105.1	153.4	128	175	8
OZ3K300K	300	3	146	15	7	60.5	265	15	220	230	105.1	153.4	128	175	8
OZ3K350K	350	3	169	17.2	11	60.5	300	18	235	250	105.1	153.4	137	185	8

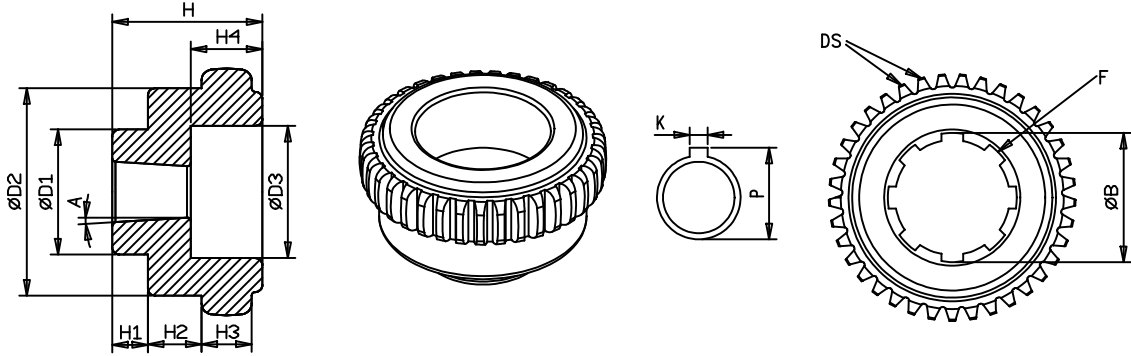
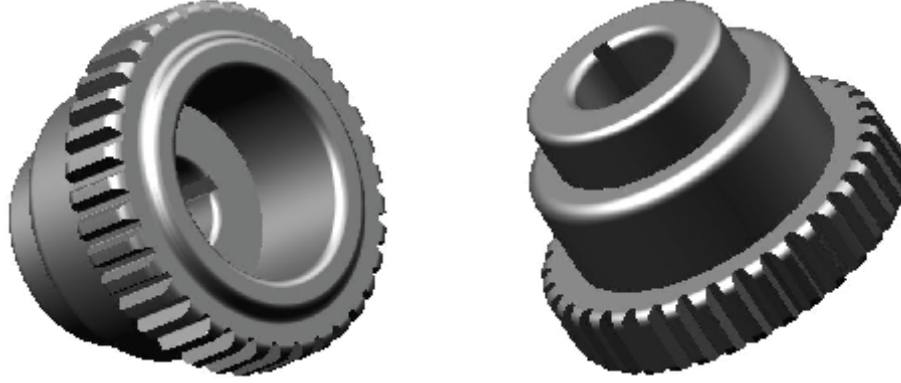
ÖLÇÜ TOLERANSI=D,D4 DEĞERLERİNDE '+' 0.1 KULLANILMIŞTIR  
 DIMENSION TOLERANCE VALUES USED  
 DİĞER ÖLÇÜLERDE '+,-' 0.25 KULLANILMIŞTIR  
 OTHER IN DIMENSIONS USED



**ZETRON**
**YUVARLAK KAMPANA SERİSİ**
**ROUND BELLHOUSING SERIES**

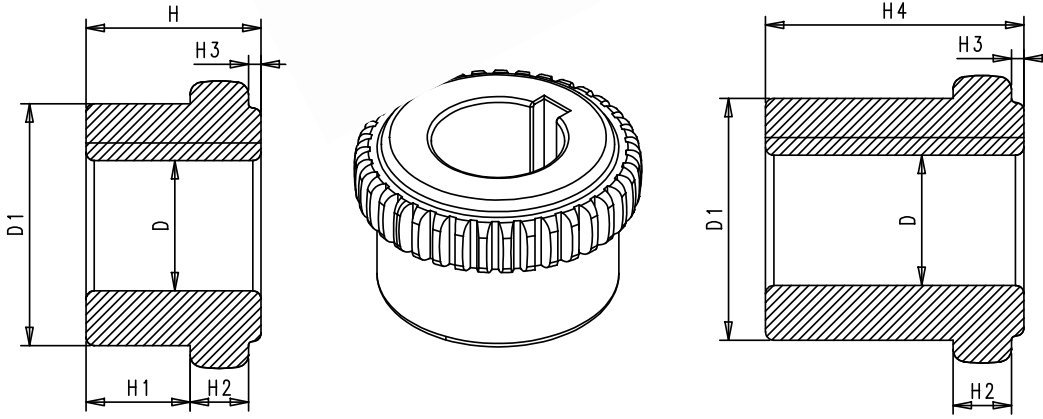
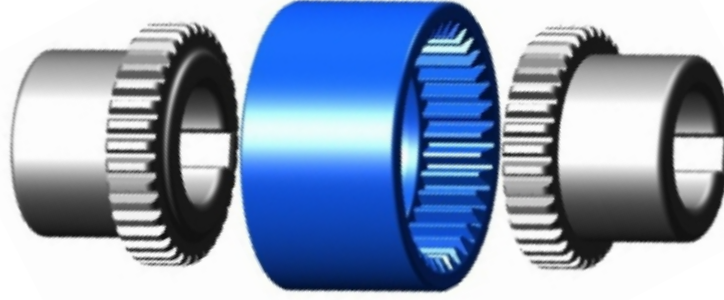
KOD CODE	P	TIP	H	H1	D	D1	D2	D3	D4	E
OZYV250K	250	2	141	10	50/140	215	14	186	180	175
OZYV300K	300	2	171	10	50/150	265	16	210	230	190
OZYV350K	350	2	191	11	50/160	300	18	242	250	215
OZYV400K	400	2	213	10	50/160	350	18.5	294	300	243
OZYV450KK	450	2	230	10	80/200	400	20	356	350	243
OZYV450UK	450	2	294	10	80/200	400	20	355	350	250
OZYV550KK	550	2	230	12	80/200	500	20	445	450	245
OZYV550UK	550	2	290	12	80/200	500	20	445	450	250

ÖLÇÜ TOLERANSI=D,D4 DEĞERLERİNDE '+' 0.1 KULLANILMIŞTIR  
 DIMENSION TOLERANCE VALUES USED  
 DİĞER ÖLÇÜLERDE '+,-' 0.25 KULLANILMIŞTIR  
 OTHER IN DIMENSIONS USED


**POMPA MİLİNE GÖRE İŞLENMİŞ KAPLIN SERİSİ**
**COUPLING MACHINED TO PUMP SHAFT**

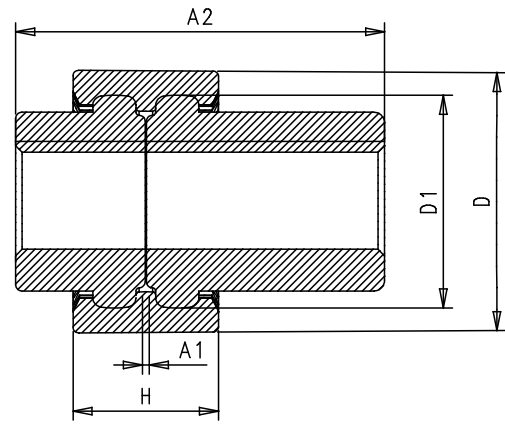
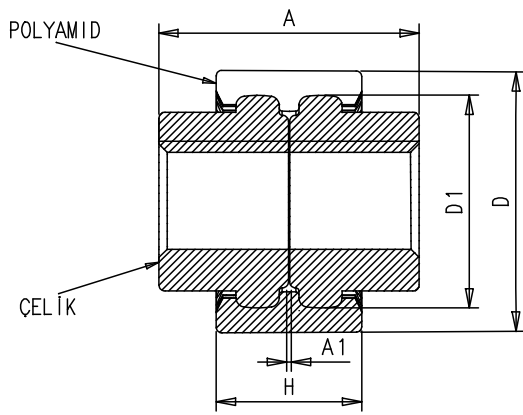
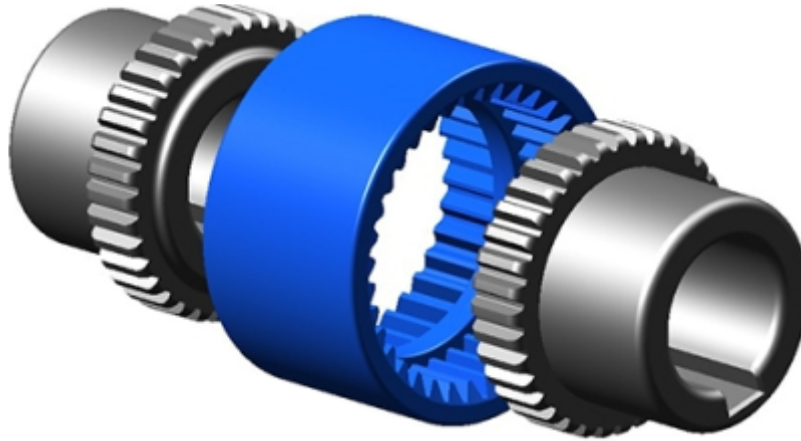
KOD CODE	H	H1	H2	H3	H4	D1	D2	D3	A	B	F	DS	K	P
OZDK140PK	24	-	15.5	7.5	10	-	24	19	8/1	-	-	20	2.5	10.8
OZDK240PK	28	5	12	9	14	23	36	22	8/1	-	-	27	2.5	10.8
OZDK241PK	28	-	17	9	11	-	36	28	8/1	-	-	27	4	18.66
OZDK280PK	40	11	15	12	27	31	44	22	8/1	-	-	36	2.5	10.8
OZDK281PK	40	10	16	12	18	33	44	34	8/1	-	-	36	4	18.66
OZDK282PK	40	-	26	12	13	-	44	34	8/1	-	-	36	4	23.60
OZDK28-8F	40	-	26	12	-	-	44	-	-	36.10	8	36	-	-
OZDK321PK	40	10	15	13	18	32	50	34	8/1	-	-	38	4	18.66
OZDK322PK	40	-	25	13	13	-	50	34	8/1	-	-	38	4	23.60
OZDK32-8F	40	-	25	13	-	-	50	-	-	36.10	8	38	-	-
OZDK381PK	42	10	14	15	20	35	58	38	8/1	-	-	37	4	18.66
OZDK382PK	42	10	14	15	15	48	58	38	8/1	-	-	37	4	23.60
OZDK38-8F	42	-	24	15	-	-	58	-	-	36.10	8	37	-	-
OZDK421PK	42	10	15	14	20	35	60	38	8/1	-	-	39	4	18.66
OZDK422PK	42	10	15	14	15	48	60	38	8/1	-	-	39	4	23.60
OZDK42-8F	42	-	25	14	-	-	60	-	-	36.10	8	39	-	-
OZDK481PK	47	10	19	14.5	25	35	68	47	8/1	-	-	42	4	18.66
OZDK482PK	47	10	19	14.5	20	48	68	47	8/1	-	-	42	4	23.60
OZDK48-8F	47	-	29	14.5	-	-	68	-	-	36.10	8	42	-	-
OZDK551PK	55	20	13	17	33	60	85	47	8/1	-	-	48	4	18.66
OZDK552PK	55	20	13	17	28	70	85	47	8/1	-	-	48	4	23.60
OZDK55-8F	55	-	33	17	-	-	85	-	-	36.10	8	48	-	-
OZDK601PK	68	-	45	18	46	-	97	55	8/1	-	-	55	4	18.66
OZDK602PK	68	-	45	18	41	-	97	55	8/1	-	-	55	4	23.60
OZDK60-8F	68	-	45	18	-	-	97	-	-	36.10	8	55	-	-

TOLERANS MİL ÖLÇÜLERİNDE = +, - 0.02 DİĞER ÖLÇÜLERDE = +, - 0.1 KULLANILMIŞTIR  
TOLERANCE SHAFT DIMENSIONS OTHER IN DIMENSIONS USED


**DÜZ MİLE GÖRE İŞLENMİŞ KAPLIN SERİSİ**  
 STRAIGHT SHAFT MACHINED COUPLIN

KOD CODE	H	H1	H2	H3	H4	D1	D
OZDK14	24	15.5	7.5	1	-	24	11-14
OZUDK14	24	15.5	7.5	1	30	24	11-14
OZDK24	28	17	9	2	-	36	13.45-14-19-24-DOLU
OZUDK24	28	17	9	2	40	36	14-19-24-DOLU
OZDK28	40	26	12	2	-	44	12-12.7-14-19-20-24-25-28-DOLU
OZUDK28	40	26	12	2	60	44	19-20-24-25-28-DOLU
OZDK32	40	25	13	2	-	50	19-22.24-24-25-28-32-DOLU
OZUDK32	40	25	13	2	60	50	24-28-32-DOLU
OZDK38	42	24	15	3	-	58	19-20-22.24-24-25-28-31.75-32-38-DOLU
OZUDK38	42	24	15	3	62	58	24-28-32-38-DOLU
OZDK42	42	25	14	3	-	60	19-20-22.24-24-25-28-31.75-32-38-42-DOLU
OZUDK42	42	25	14	3	62	60	28-38-42-DOLU
OZDK48	47	29	14.5	3.5	-	68	22.24-24-25-28-31.75-32-38-42-48-DOLU
OZUDK48	47	29	14.5	3.5	67	68	28-38-42-48-DOLU
OZDK55	55	33	17	5	-	85	22.24-28-31.75-32-38-42-48-55-DOLU
OZUDK55	55	33	17	5	75	85	38-42-48-55-DOLU
OZDK60	68	45.5	17.5	5	-	97	22.24-31.75-42-48-55-60-DOLU
OZUDK60	68	45.5	17.5	5	85	97	38-42-48-55-60-DOLU

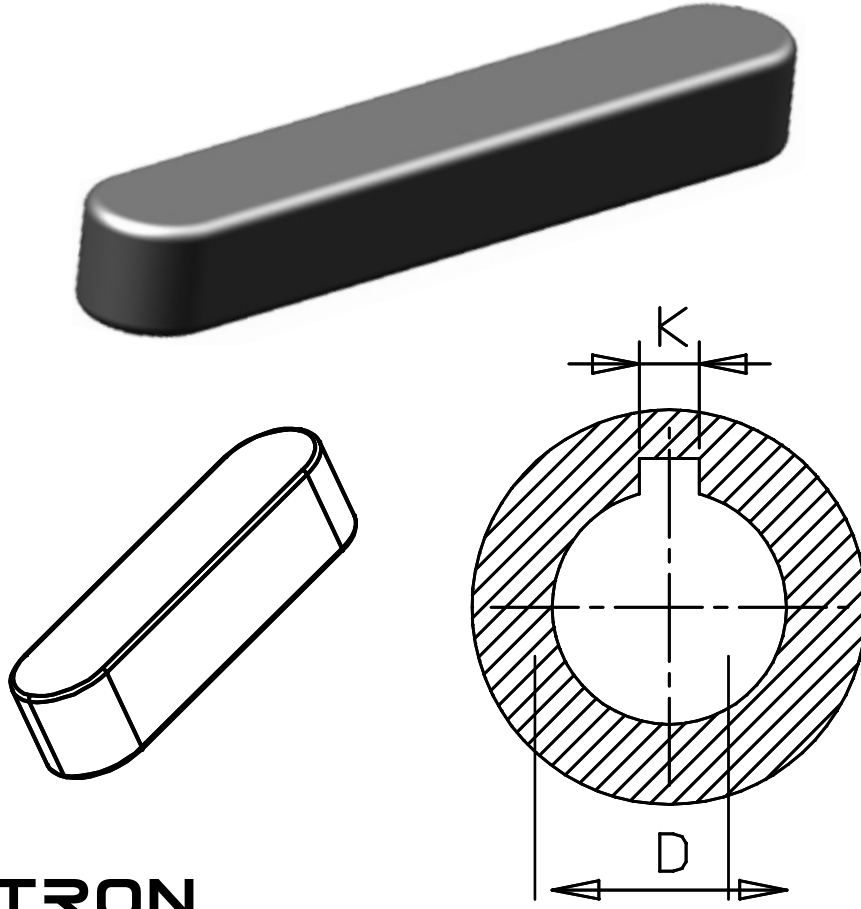
TOLERANS MİL ÖLÇÜLERİNDE = +/- 0.02 DİĞER ÖLÇÜLERDE = +/- 0.15 KULLANILMIŞTIR  
 TOLERANCE SHAFT DIMENSIONS OTHER IN DIMENSIONS USED



## DK KAPLIN BİRLEŞİK HALI COUPLING COMBINED STATE

KOD CODE	A	A1	H	D	D1	A2
OZDK14	51.5	3	28	40	32.5	56.5
OZDK24	57.5	1	37	53	44.4	69.5
OZDK28	82.5	2	38	67	57	102.5
OZDK32	81.5	1.5	42	75	59.3	101.5
OZDK38	85	1	47	84.5	69	105
OZDK42	88	3	51	88	71.8	108
OZDK48	97.5	3	47	99	78	117.5
OZDK55	112	1.5	57.5	120	99.2	132
OZDK60	140	4	67.5	138	111.8	157

ÖLÇÖLERDEKİ TOLERANS = +,- 0.30  
DIMENSIONS TOLERANCE



### DÜZ MİLE GÖRE İŞLENMİŞ KAPLIN KAMA ÖLÇÜLERİ

COUPLING CAM DIMENSIONS MACHINED TO STRAIGHT SHAFT

KOD CODE	Ø D (DÜZ MİL ÇAPLARI - STRAING SHAFT DIAMETERS)																				
	9	11	12	12.7	(10PÜZ) 13.45	14	(10PÜZ) 15.85	18	19	20	(20PÜZ) 22.22	24	25	28	(30PÜZ) 31.75	32	38	42	48	55	60
OZDK14 KAMA (K)	3	4	-	-	-	5	-	-	-	-	-	-	-	-	-	-	-	-	-	-	-
OZDK24 KAMA (K)	-	-	4	3.3	3.3	5	4	6	6	-	-	8	-	-	-	-	-	-	-	-	-
OZDK28 KAMA (K)	-	-	4	3.3	3.3	5	4	6	6	6	-	8	8	8	-	-	-	-	-	-	-
OZDK32 KAMA (K)	-	-	-	-	-	-	-	-	6	6	6.35	8	8	8	-	8	-	-	-	-	-
OZDK38 KAMA (K)	-	-	-	-	-	-	-	-	6	6	6.35	8	8	8	7.97	8	10	-	-	-	-
OZDK42 KAMA (K)	-	-	-	-	-	-	-	-	6	6	6.35	8	8	8	7.97	8	10	12	-	-	-
OZDK48 KAMA (K)	-	-	-	-	-	-	-	-	-	-	6.35	8	8	8	7.97	8	10	12	14	-	-
OZDK55 KAMA (K)	-	-	-	-	-	-	-	-	-	-	6.35	-	-	8	7.97	8	10	12	14	16	-
OZDK60 KAMA (K)	-	-	-	-	-	-	-	-	-	-	6.35	-	-	-	7.97	-	10	12	14	16	18

ÖLÇÜLERDEKİ TOLERANS = +,- 0.1  
DIMENSIONS TOLERANCE




**ZETRON**
**MOTOR MİL VE KAMPANA ÇAPLARI**
**ENGINE SHAFT , BELLHOUSING DIAMETERS**

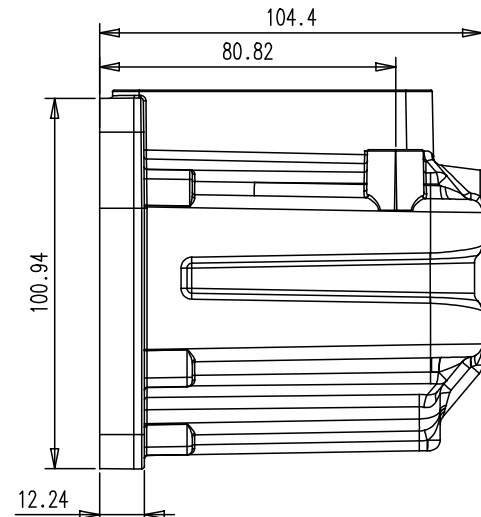
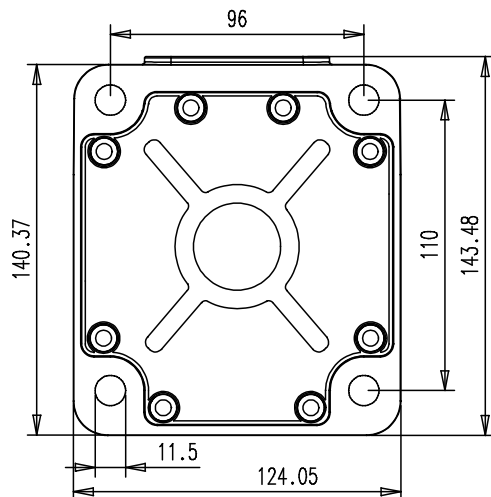
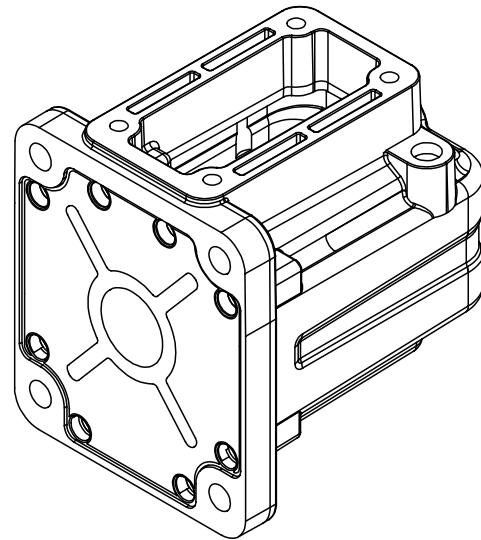
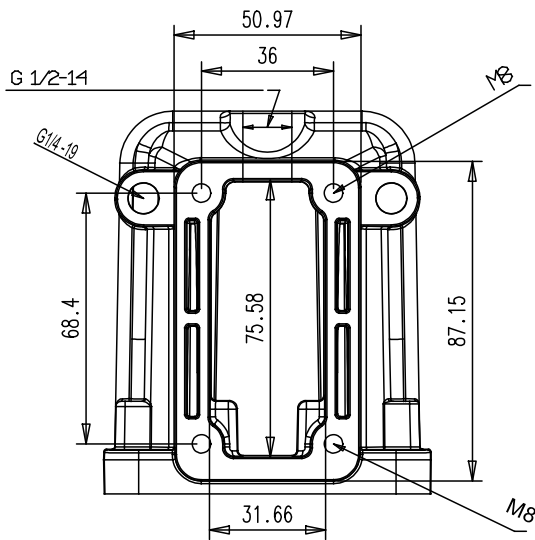
DEVİR SPEED	KW	HP	MİL ÇAPı SHAFT DIA	KAMA KEY HOLE
1500	0.09	0.12	9mm	3mm
1500	0.12	0.16	11mm	4mm
1500	0.18	0.25	11mm	4mm
1500	0.25	0.33	14mm	5mm
1500	0.37	0.5	14mm	5mm
1500	0.55	0.75	19mm	6mm
1500	0.75	1	19mm	8mm
1500	1.1	1.5	24mm	8mm
1500	1.6	2	24mm	8mm
1500	2.2	3	28mm	8mm
1500	3	4	28mm	10mm
1500	4	5.5	28mm	10mm
1500	5.5	7.5	38mm	10mm
1500	7.5	10	38mm	10mm
1500	11	15	42mm	12mm
1500	15	20	42mm	12mm
1500	18.5	25	48mm	14mm
1500	22	30	48mm	14mm
1500	30	40	55mm	16mm
1500	37	50	60mm	18mm
1500	45	60	60mm	18mm
1500	55	75	65mm	18mm

DEVİR SPEED	KW	HP	MİL ÇAPı SHAFT DIA
3000	0.09	0.12	9mm
3000	0.12	0.16	11mm
3000	0.18	0.25	11mm
3000	0.25	0.33	11mm
3000	0.37	0.5	14mm
3000	0.55	0.75	14mm
3000	0.75	1	19mm
3000	1.1	1.5	19mm
3000	1.6	2	24mm
3000	2.2	3	24mm
3000	3	4	28mm
3000	4	5.5	28mm
3000	5.5	7.5	38mm
3000	7.5	10	38mm
3000	11	15	42mm
3000	15	20	42mm
3000	18.5	25	42mm
3000	22	30	48mm
3000	30	40	55mm
3000	37	50	55mm
3000	45	60	60mm
3000	55	75	65mm

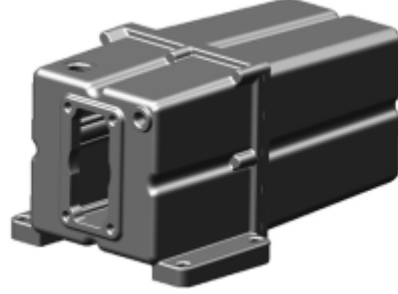
DEVİR SPEED	KW	HP	MİL ÇAPı SHAFT DIA	KAMPANA BELLHOUSING
1000	0.09	0.12	9mm	140
1000	0.12	0.16	14mm	140
1000	0.18	0.25	14mm	140
1000	0.25	0.33	19mm	160
1000	0.37	0.5	19mm	160
1000	0.55	0.75	19mm	200
1000	0.75	1	24mm	200
1000	1.1	1.5	24mm	200
1000	1.6	2	28mm	200
1000	2.2	3	28mm	250
1000	3	4	38mm	250
1000	4	5.5	38mm	250
1000	5.5	7.5	38mm	300
1000	7.5	10	42mm	300
1000	11	15	42mm	350
1000	15	20	48mm	350
1000	18.5	25	55mm	350
1000	22	30	55mm	350
1000	30	40	60mm	400
1000	37	50	-	450
1000	45	60	-	450
1000	55	75	-	550

# 1 LITRE YAG DEPO OZ1LTDP

## 1 LITER OIL TANK



## 2LT,3LT,4LT,5LT YAG DEPO GÖVDESİ 2LT,3LT,4LT,5LT OIL TANK BODY

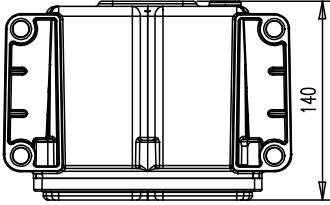


2LT YAG DEPO  
2LT OIL TANK

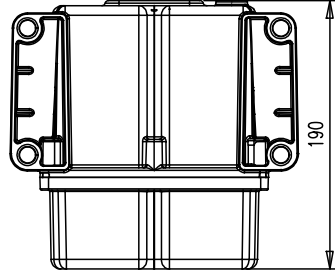
3LT YAG DEPO  
3LT OIL TANK

4LT YAG DEPO  
4LT OIL TANK

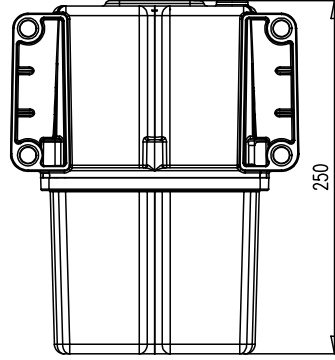
5LT YAG DEPO  
5LT OIL TANK



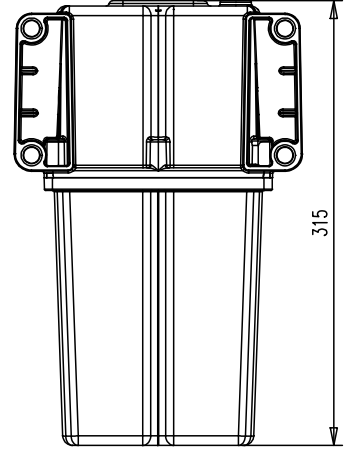
OZ2LTDP



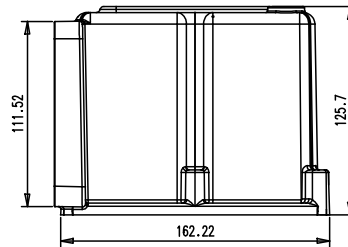
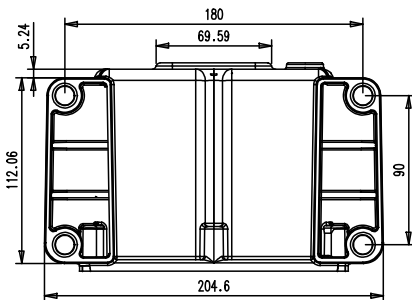
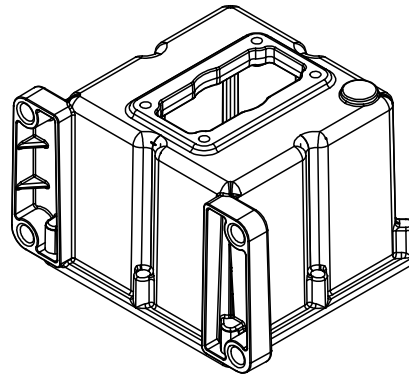
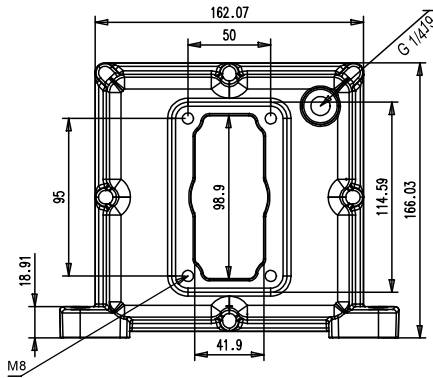
OZ3LTDP

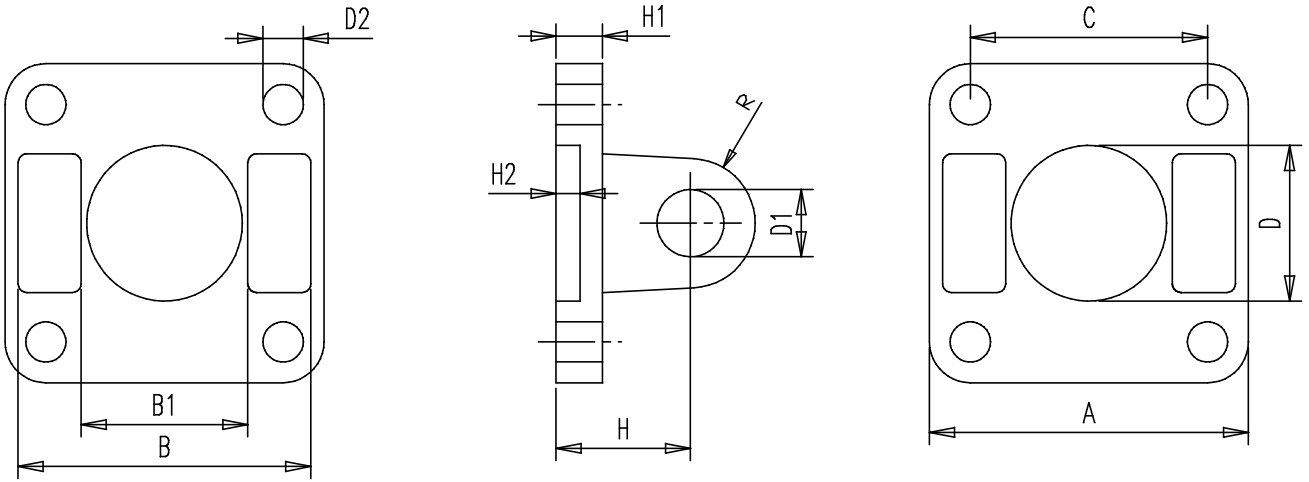
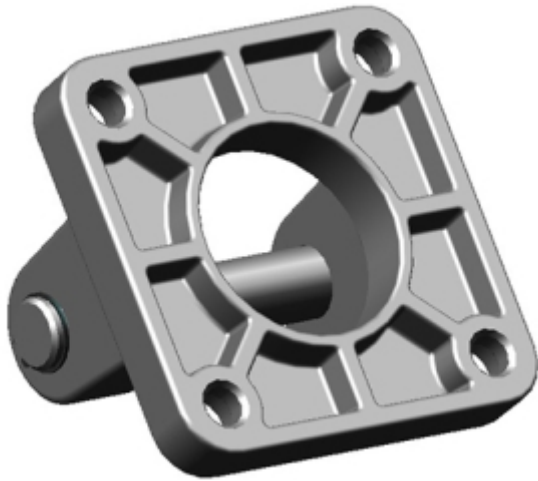


OZ4LTDP



OZ5LTDP

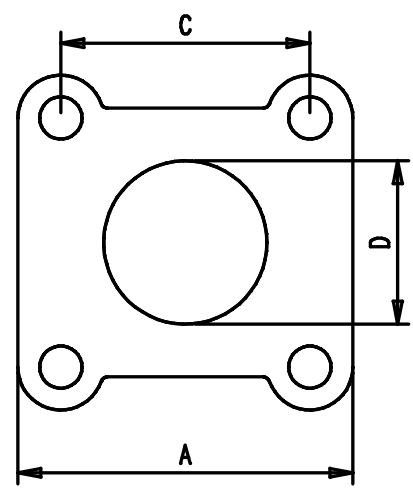
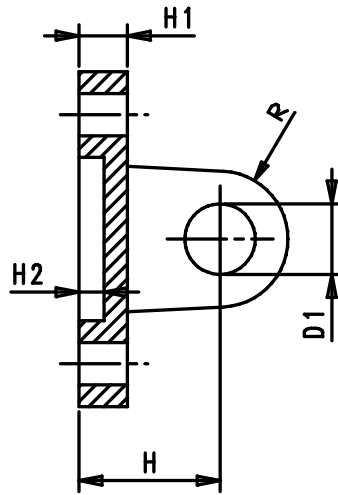
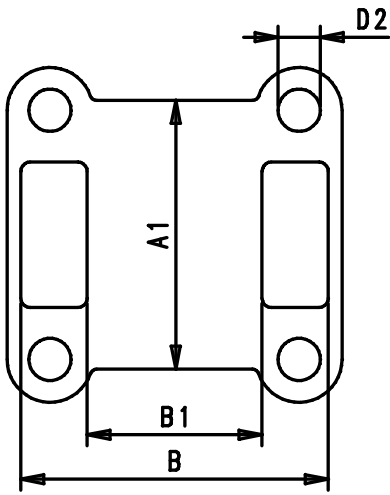
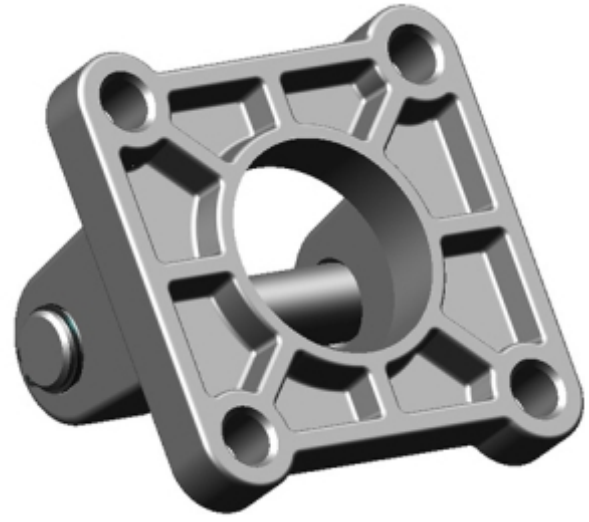
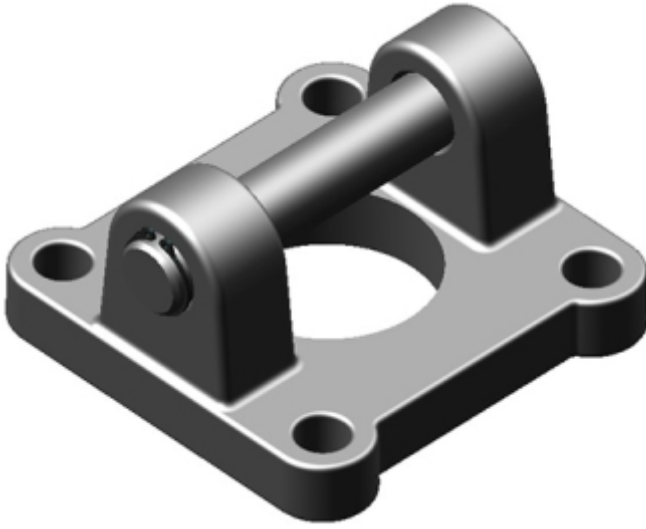




## CETOP EKLEM BAĞLANTI SERİSİ

### CETOP JOINT CONNECTION SERIES

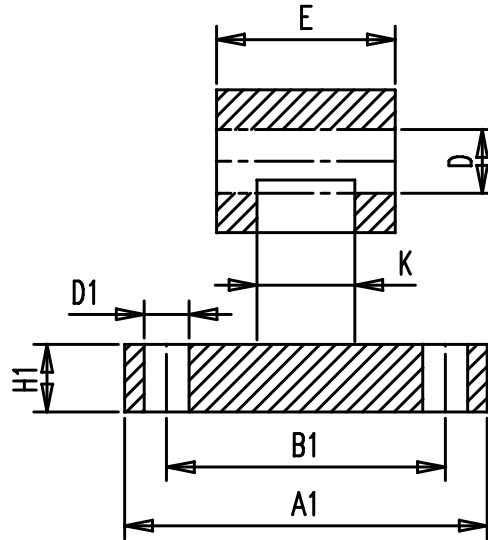
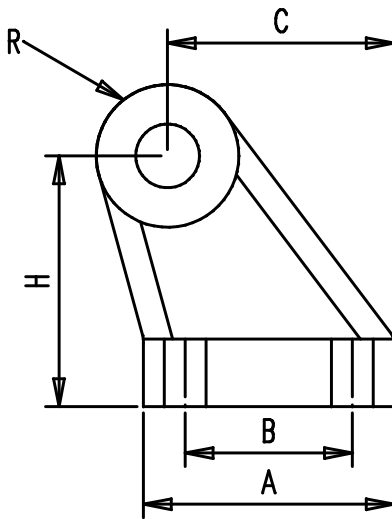
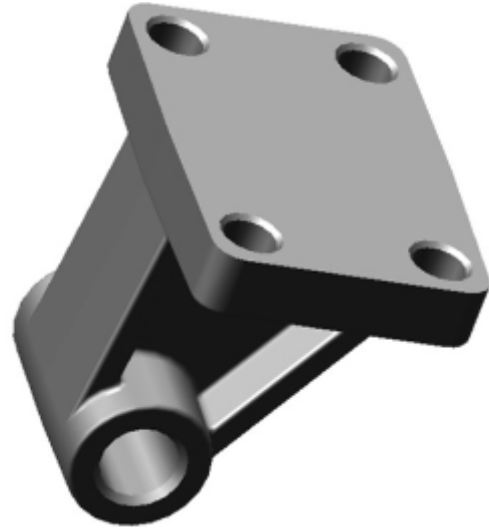
SİLİNDİR CYLINDER	A	A1	B	B1	C	D	D1	D2	H	H1	H2	R
OZ32CEB	45	45	45	26	32.5	30	10	5.8	22	9	6.5	10
OZ40CEB	54	54	52	28	39.6	35	12	5.8	25	9.5	6.5	12
OZ50CEB	65	65	60	32	48	40	12	7	27	11	6.5	13.5
OZ63CEB	76	76	70	40	59.3	42	16	7	35	11	7.5	16.5
OZ80CEB	94	94	89	50	70.7	48	16	9.2	38	14	14	16.5
OZ100CEB	120	120	111	60	93.4	52	20	9.2	43	14.5	14.5	19.5
OZ125CEB	139	139	132	70	106	63	25	13	55	20	20	25.5
OZ160CEB	179	179	172	90	134.4	80	30	14.3	60	23	23	31.5
OZ200CEB	220	220	210	100	165.5	80	30	16	60	27	27	35



### ISO EKLEM BAĞLANTI SERİSİ

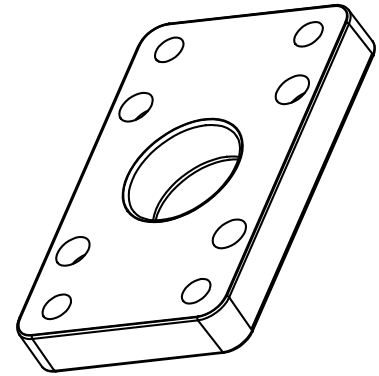
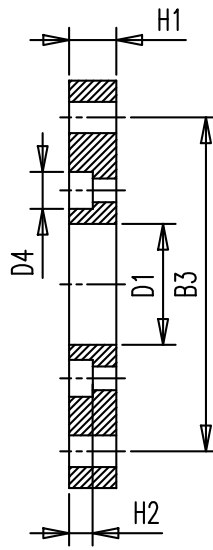
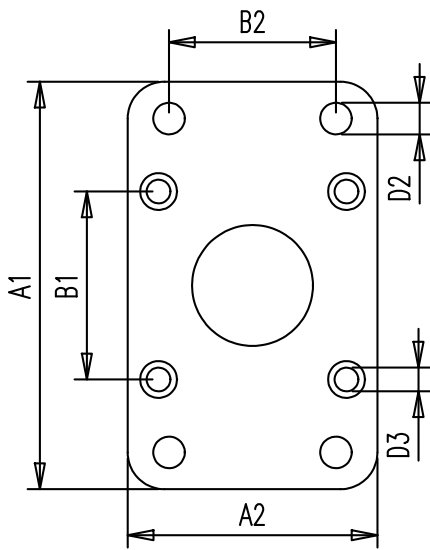
### ISO JOINT CONNECTION SERIES

SİLİNDİR CYLINDER	A	A1	B	B1	C	D	D1	D2	H	H1	H2	R
0Z32İEB	45	37	45	26	32.5	30	10	7	22	9	6.5	10
0Z40İEB	54	42	52	28	38	35	12	7	25	9.5	6.5	12
0Z50İEB	65	54	60	32	46.5	40	12	9	27	11	6.5	13.5
0Z63İEB	76	61	69	40	56.5	45	16	9	32	11	6.5	16.5
0Z80İEB	94	82	89	50	72	45	16	10.5	36	14	14	16.5
0Z100İEB	111	93	111	60	89	55	20	10.5	41	14.5	14.5	19.5
0Z125İEB	139	124	132	70	110	62.5	25	12.5	50	20	20	25.5
0Z160İEB	179	179	172	90	140	65	30	17	60	23	23	31.5
0Z200İEB	220	220	210	100	175	75	30	19	60	27	27	35



**ZETRON**
**CETOP ISO YER BAĞLANTI SERİSİ**
**CETOP ISO PLACE CONNECTION SERIES**

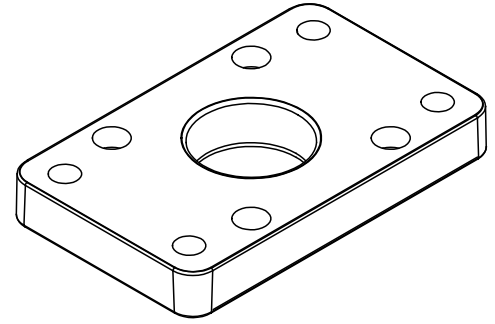
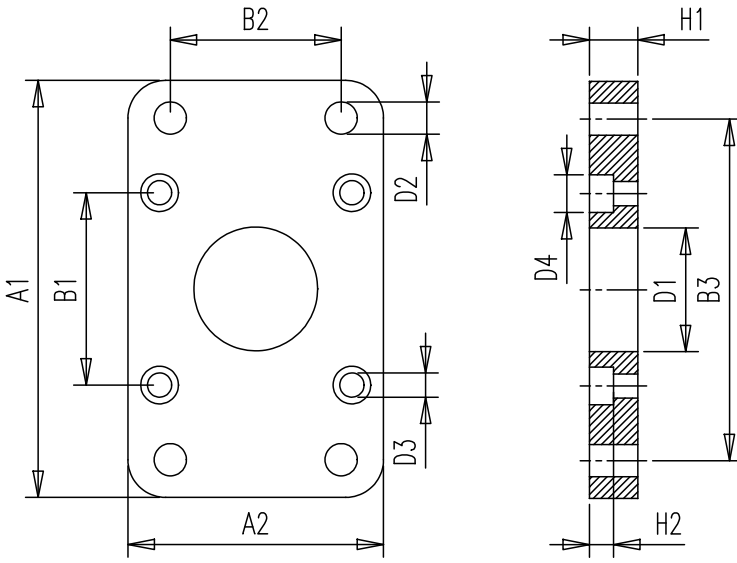
SİLİNDİR CYLINDER	A	A1	B	B1	C	D	D1	E	H	H1	R	K
OZ32YB	31	51	18	38	27.5	10	6.5	26	32	8	10	16
OZ40YB	35	54	22	41	30.5	12	6.5	28	36	10	11	16
OZ50YB	45	65	30	50	40.5	12	7	32	45	12	13	17.5
OZ63YB	50	67	35	52	44.5	16	9	40	50	12.5	16	27.5
OZ80YB	60	86	40	66	50	16	11	50	63	14	15	35
OZ100YB	70	96	50	76	65	20	11	60	71	15	19	40
OZ125YB	90	124	60	94	85	25	14	70	90	19	22.5	52
OZ160YB	130	156	88	118	116	30	14	90	115	25	33	60
OZ200YB	130	162	90	122	125	30	16	90	135	30	38	70



## CETOP FLANS BAĞLANTI SERİSİ

### CETOP FLANGE CONNECTION SERIES

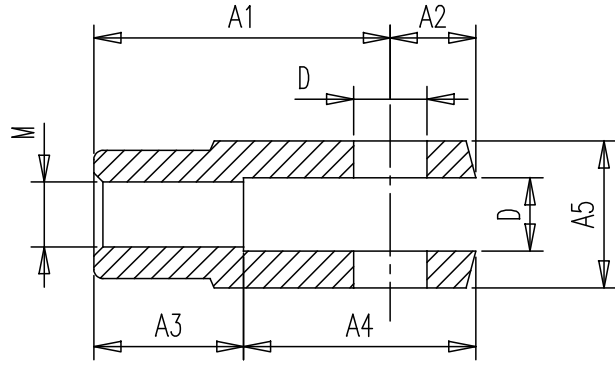
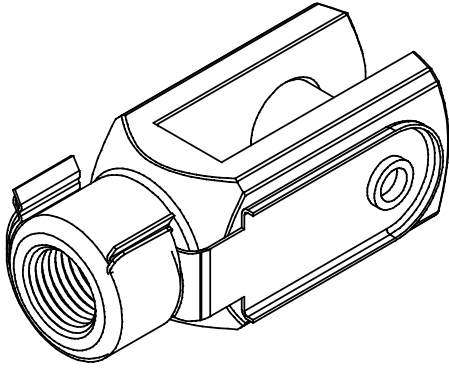
SİLİNDİR CYLINDER	A1	A2	B1	B2	B3	D1	D2	D3	D4	H1	H2
OZ321FB	79	48	32.5	32	64	30.5	7	6	10	10	6
OZ401FB	90	54	39.6	36	72	35.5	9	6	10	10	6
OZ501FB	110	66	48	45	90	40.5	9	7	12	12	7
OZ631FB	120	80	59.4	50	100	42.5	9	7	12	15	7
OZ801FB	153	95	70.7	63	126	48.5	12	9	14	18	9
OZ1001FB	185	125	93.4	75	150	56.5	14	10	16	18	10
OZ1251FB	220	140	106	90	180	63.5	16	13	18	25	13
OZ1601FB	280	186	134.4	115	230	80.5	18	15	20	27	15
OZ2001FB	320	220	165.5	135	270	90.5	22	17	22	29	17



### ISO FLANS BAĞLANTI SERİSİ ISO FLANGE CONNECTION SERIES

SİLİNDİR CYLINDER	A1	A2	B1	B2	B3	D1	D2	D3	D4	H1	H2
OZ321FB	79	48	32.5	32	64	30.5	7	7	9	10	6
OZ401FB	90	54	38	36	72	35.5	9	7	11	10	6
OZ501FB	110	66	46.5	45	90	40.5	9	9	13	12	8
OZ631FB	120	80	56.5	50	100	45.5	9	9	13	15	8
OZ801FB	150	94	72	63	126	45.5	12	11	16	16	10
OZ1001FB	175	112	89	75	150	55.5	14	11	18	16	11
OZ1251FB	220	140	110	90	180	60.5	16	13	20	25	13
OZ1601FB	280	186	140	115	230	65.5	18	17	22	27	15
OZ2001FB	320	220	175	135	270	75.5	22	17	24	29	17

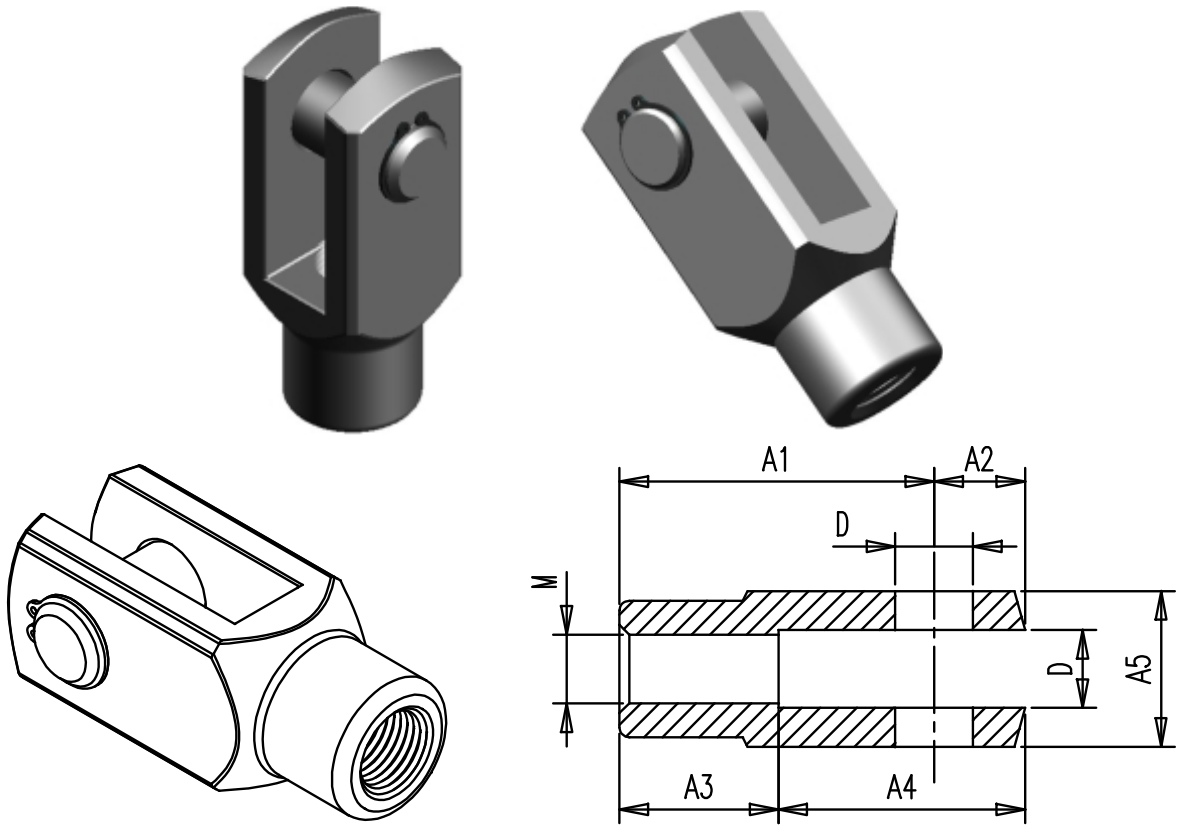




## KLİPSLİ ÇATAL BAĞLANTI SERİSİ

### FORK CONNECTION SERIES

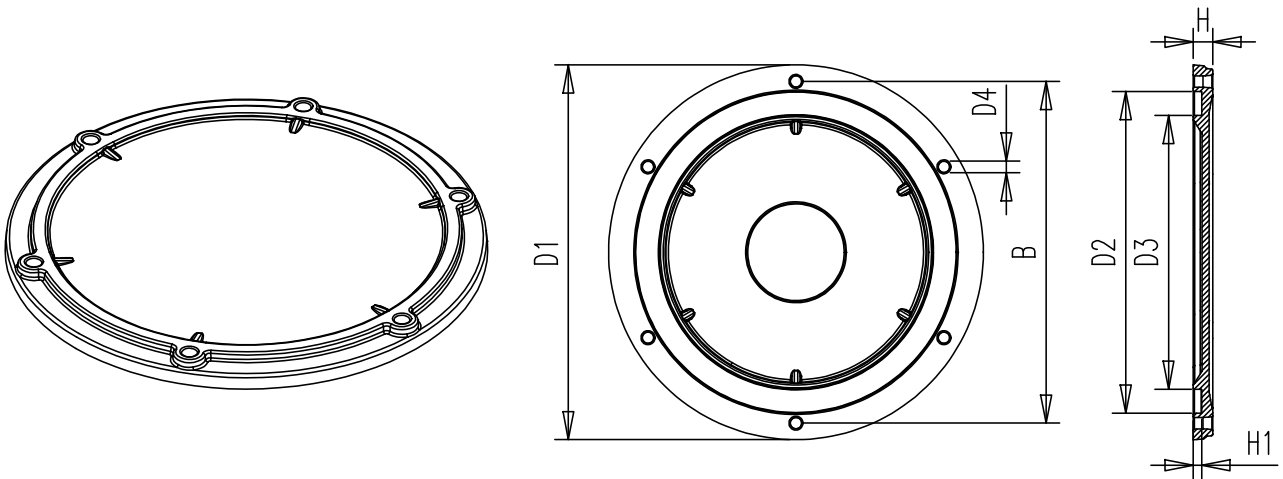
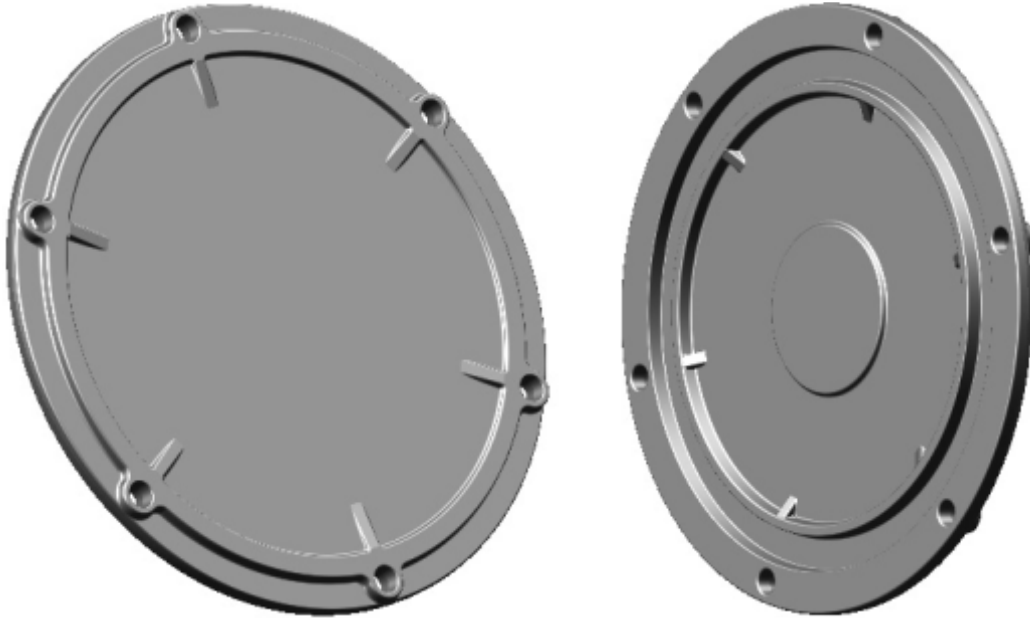
SİLİNDİR CYLINDER	A1	A2	A3	A4	A5	D	M
OZ32KCB	40	12	20	32	20	10	10X1.25
OZ40KCB	48	14	23	39	24	12	12X1.25
OZ50KCB	63	19	32	50	30	16	16X1.5
OZ63KCB	63	19	32	50	30	16	16X1.5
OZ80KCB	80	25	40	65	40	20	20X1.5
OZ100KCB	80	25	40	65	40	20	20X1.5



## SEKMANLI ÇATAL BAĞLANTI SERİSİ

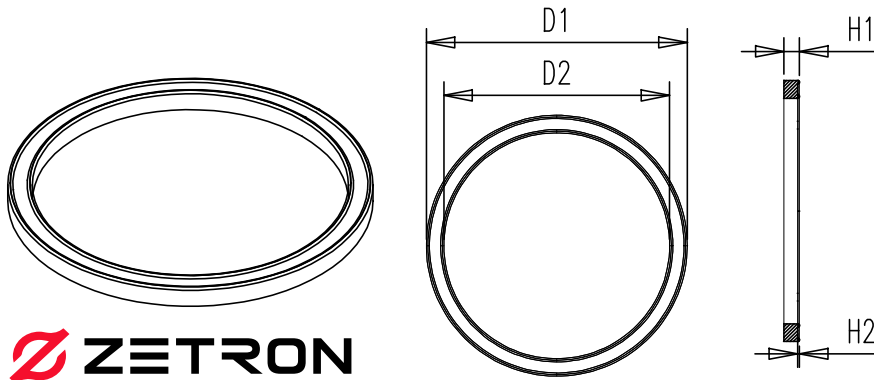
### FORK CONNECTION SERIES

SİLİNDİR CYLINDER	A1	A2	A3	A4	A5	D	M
OZ32SCB	40	12	20	32	20	10	10X1.25
OZ40SCB	48	14	23	39	24	12	12X1.25
OZ50SCB	63	19	32	50	30	16	16X1.5
OZ63SCB	63	19	32	50	30	16	16X1.5
OZ80SCB	80	25	40	65	40	20	20X1.5
OZ100SCB	80	25	40	65	40	20	20X1.5
OZ125SCB	97	32	54	75	50	25	27X2
OZ160SCB	143	44	73	114	70	35	36X2
OZ200SCB	143	44	73	114	70	35	36X2



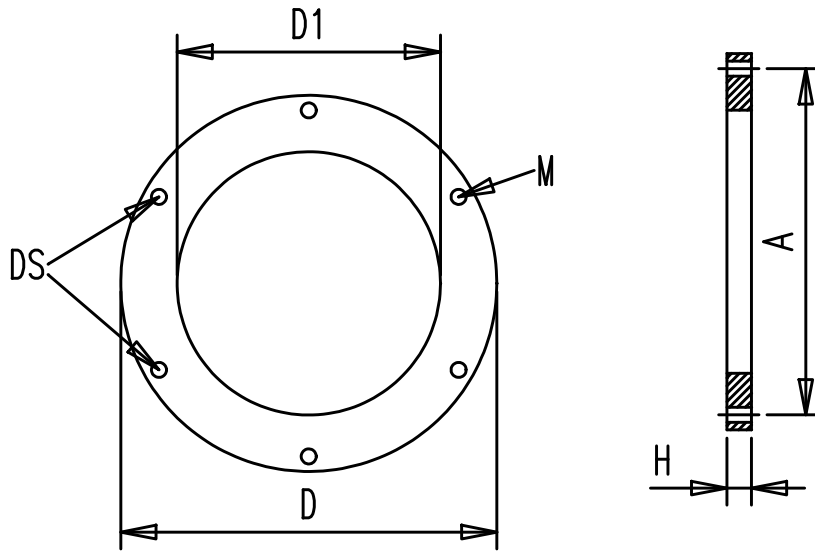
**ZETRON**
**BAKIM KAPAGI SERİSİ**
**MAINTENANCE COVER SERIES**

KOD CODE	D1	D2	D3	D4	B	H	H1
OZ250BK	250	215	186	9.5	230	15	6.5
OZ300BK	300	260	221	9.5	276	16	7
OZ350BK	350	300	262	13.5	325	17	8.5

 ZETRON

**BAKIM KAPAGI CONTASI**  
MAINTENANCE COVER GASKET

KOD CODE	D1	D2	H1	H2
OZ250BKCK	215	186	13	1.4
OZ250BKC	215	186	8.5	1.4
OZ300BKC	260	221	10	1.8
OZ350BKC	300	262	11	1.5



**ZETRON**
**BAKIM KAPAGI FLANŞI**  
**OVERHAUL COVER FLANGE**

KOD CODE	D	D1	A	H	M	DS DELİK SAYISI HOLE NUMBER
0Z250BKF	250	176.5	230	10.5	8	6
0Z250BKF	250	176.5	230	13.5	8	6
0Z300BKF	300	210	276	10.5	8	6
0Z350BKF	350	250	323	13.5	10	6